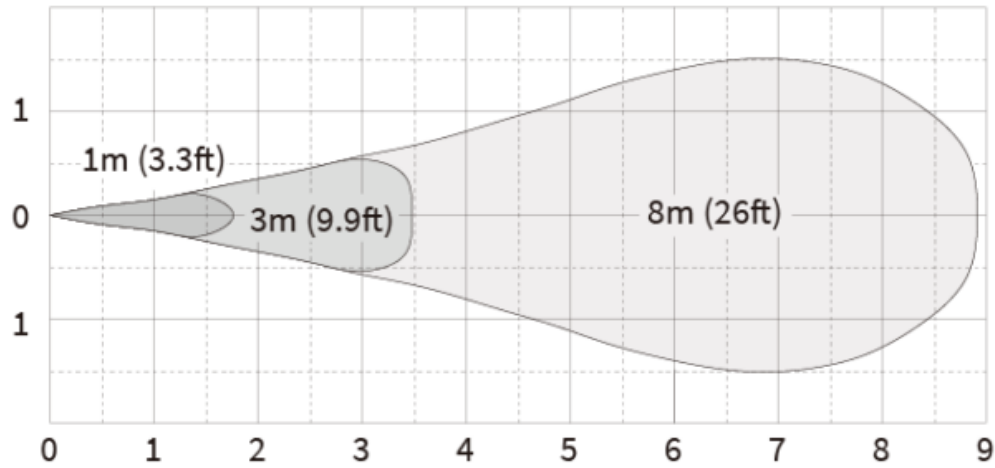


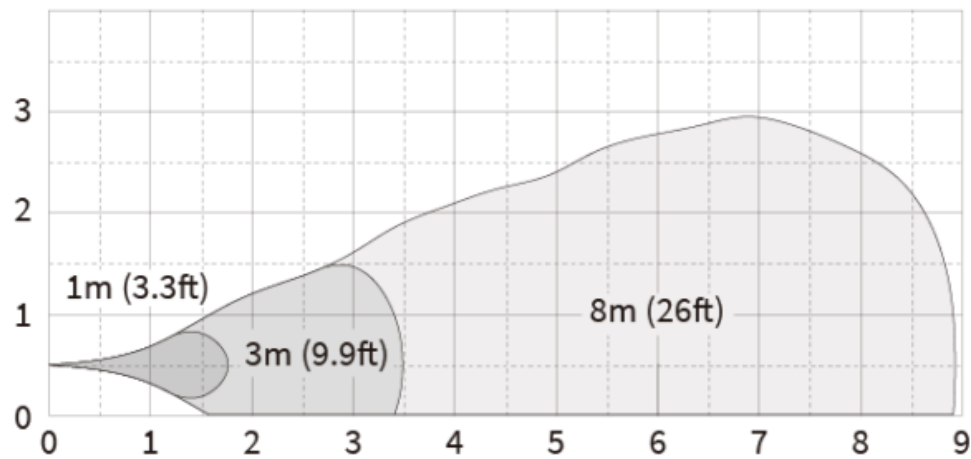
# Detection Area

[Unit:m] 1m=3.3ft.

## Top View



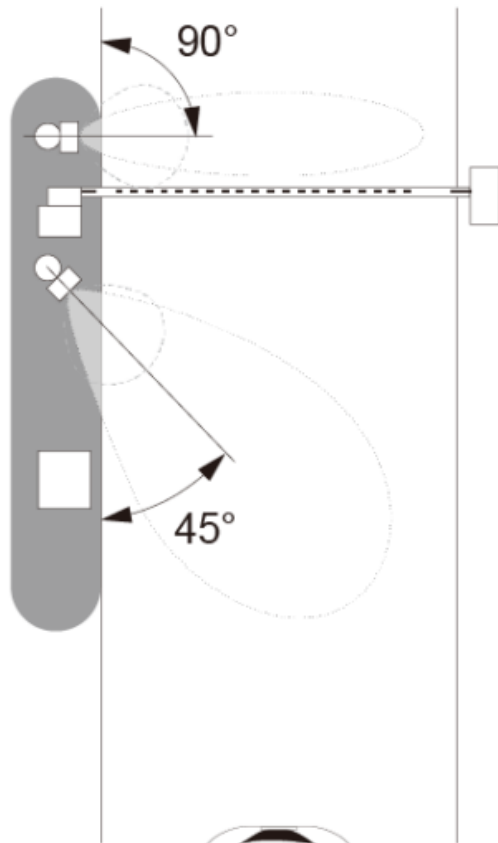
## Side View



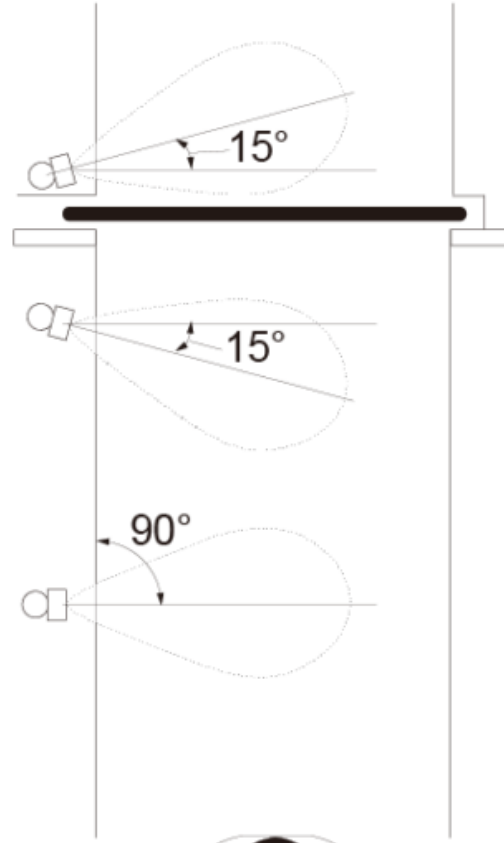
■ Microwave

# Sensor installation position

## Barrier Gate



## Sliding Gate



## Swing Gate

